

Description

SIC-9.0TF-3 is broad band large area SiC UV photodiode. It is optimized for ultraviolet UVA, UVB and UVC wavelengths. It can easily selected with integral filters.

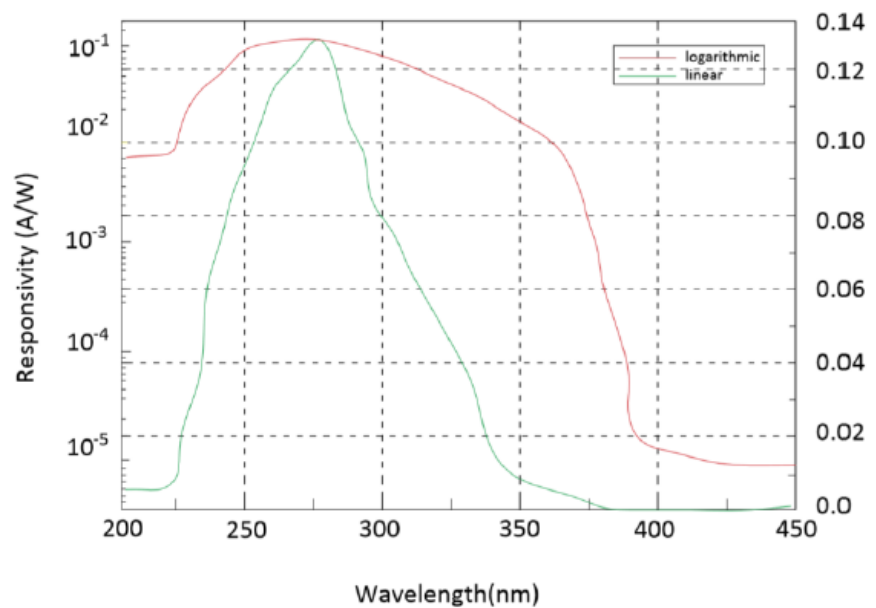
Features

- * High reliability in demanding environments
- * Good visible blindness

Applications

- * Sunlight exposure meter
- * Water purification facilities
- * UV power meter

Spectral Response



OEC



Opto-Electronic
Components

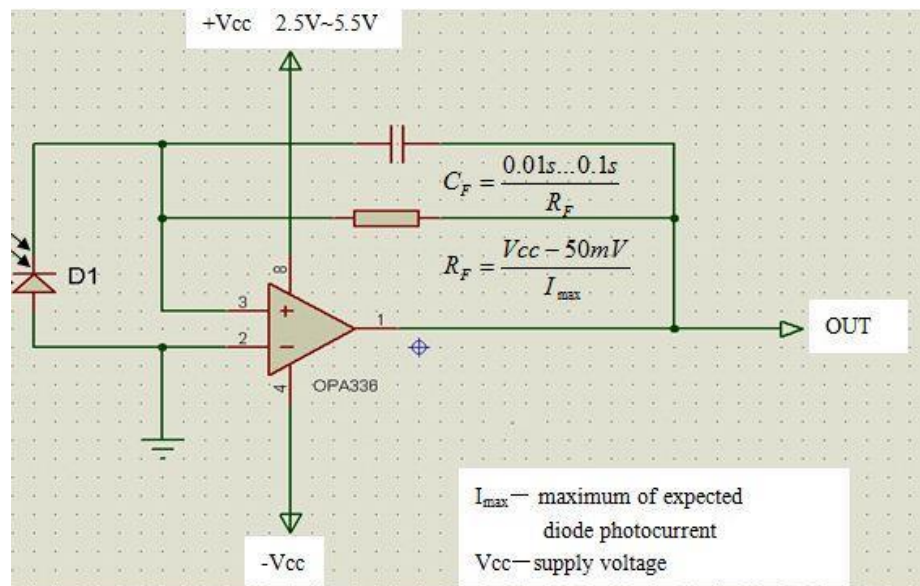


YOUR PARTNER

Electro-Optical Characteristics

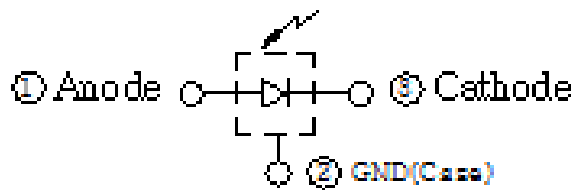
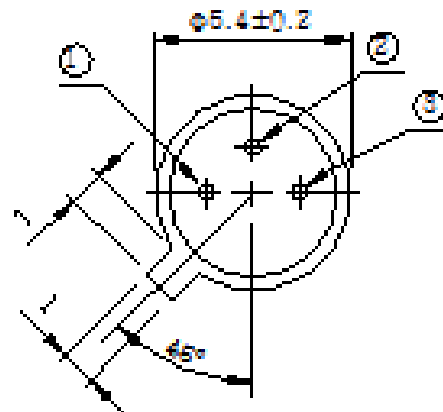
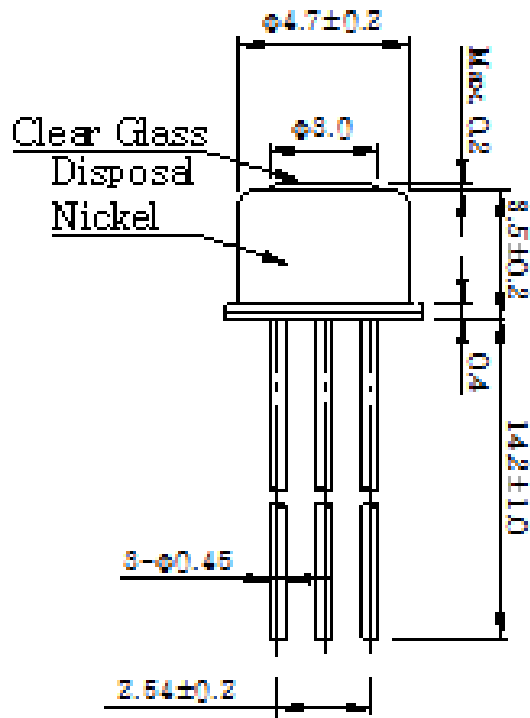
Parameter	Symbol	Min.	Typ.	Max.	Unit
Operation temperature range	T _{opt}	-25		+120	°C
Storage temperature range	T _{sto}	-40		+120	°C
Soldering temperature (3s)	T _{sol}		260		°C
Reverse voltage	V _r		-20		V
Chip size (active area)	A		9.0		mm ²
Dark current (V _r =-5V)	I _d			10	nA
Temperature coefficient	T _c		-0.1		%/°C
Capacitance (V _r =0V, f=1MHz)	C _j		440		pF
Wavelength of peak responsivity	λ _p		275		nm
Peak responsivity (@275nm)	R _{max}		0.13		A/W
Spectral response range (R=0.1*R _{max})	S _R	215		360	nm
UV-Visible rejection ratio(R _{max} /R _{400nm})	-	10 ⁴			-

Typical Application Circuit





Package Drawing



All dimensions in „mm”