

GaN Broad Band UV Photodiode

UV0.2TF-3



Description

UV0.2TF-3 is a broad band GaN based UV photodiode. It is optimized for Ultra-violet range 210~370 nm, It can be easily selected with integral filters. It is packaged in electrically isolated and hermetically sealed TO46 metal can with quartz window.

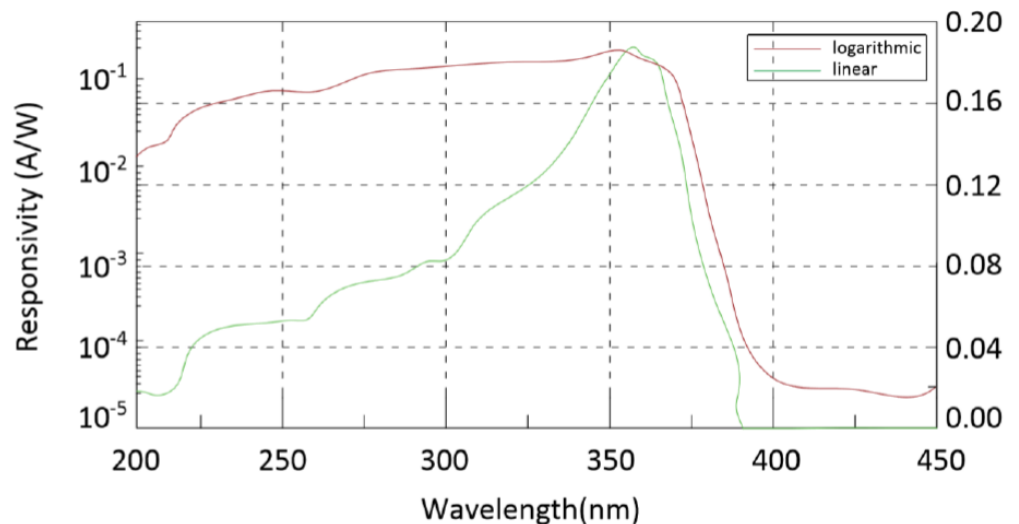
Features

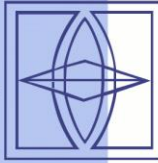
*High reliability in demanding environments

Applications

- * Sunlight exposure meter
- * Water purification facilities
- * UV power meter

Spectral Response

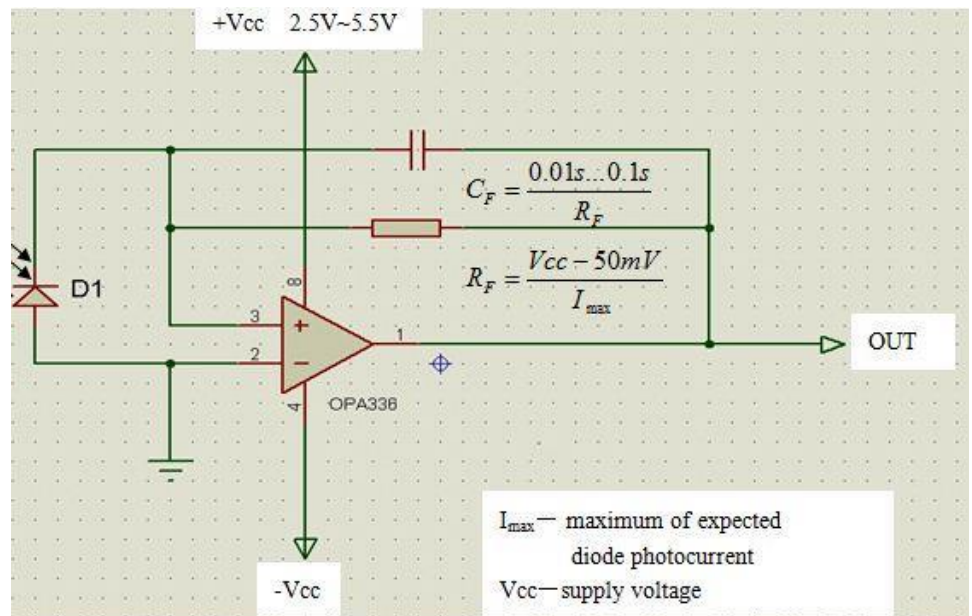


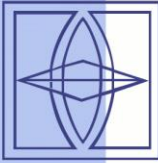


Electro-Optical Characteristics

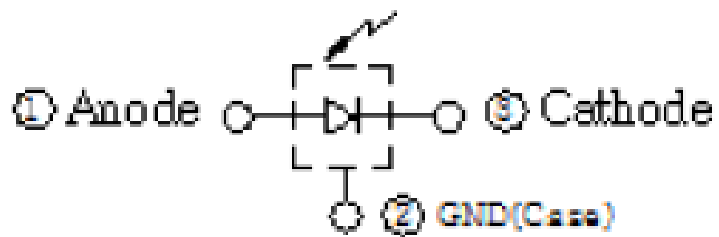
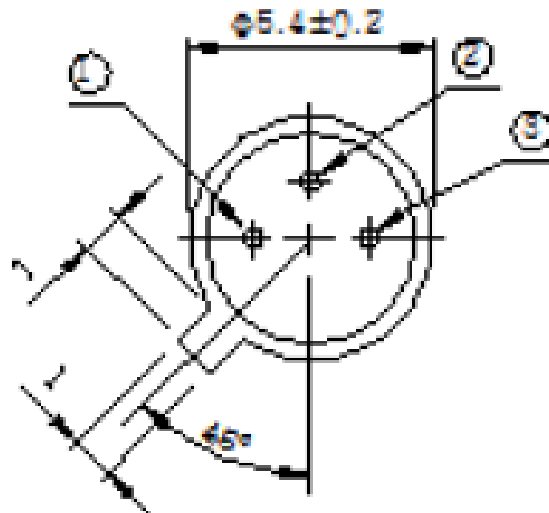
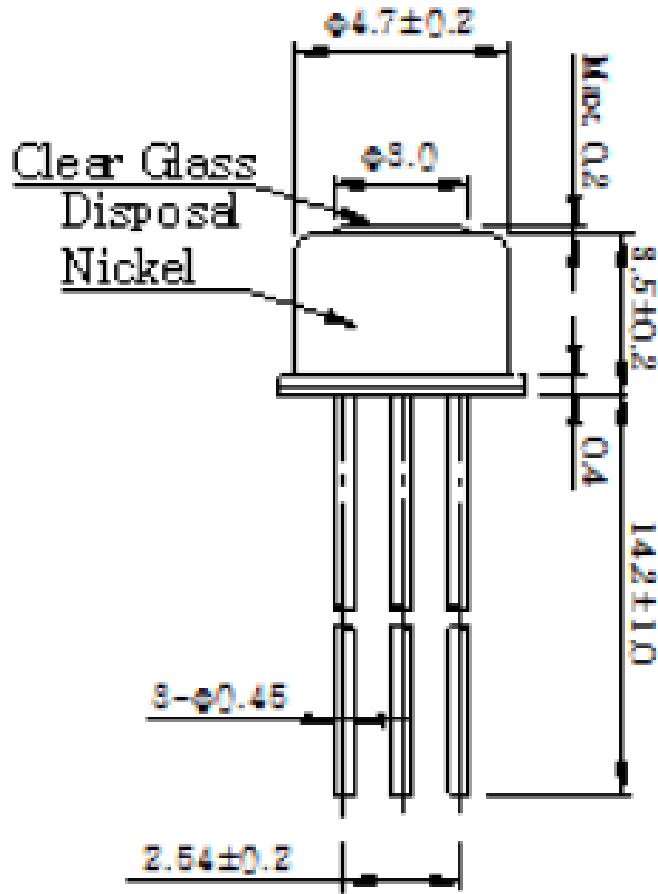
Parameter	Symbol	Min.	Typ.	Max.	Unit
Operation temperature range	T _{opt}	-25		+85	°C
Storage temperature range	T _{sto}	-40		+85	°C
Soldering temperature (3s)	T _{sol}		260		°C
Reverse voltage	V _r		-10		V
Chip size (active area)	A		0.2		mm ²
Dark current (V _r =-5V)	I _d			1	nA
Temperature coefficient	T _c		-0.02		%/°C
Capacitance (V _r =0V, f=1MHz)	C _j		3.4		pF
Wavelength of peak responsivity	λ _p		355		nm
Peak responsivity (@355nm)	R _{max}		0.15		A/W
Spectral response range (R=0.1*R _{max})	S _R	210		375	nm
UV-Visible rejection ratio(R _{max} /R400nm)	-	10 ⁴			-

Typical Application Circuit





Package Drawing



All Dimensions in „mm“