



OEC
Opto-Electronic
Components

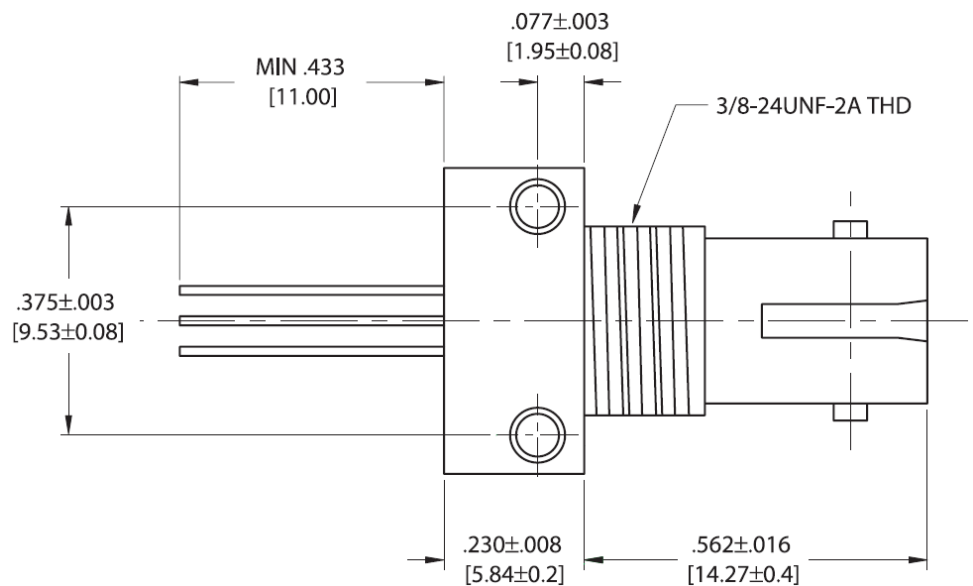
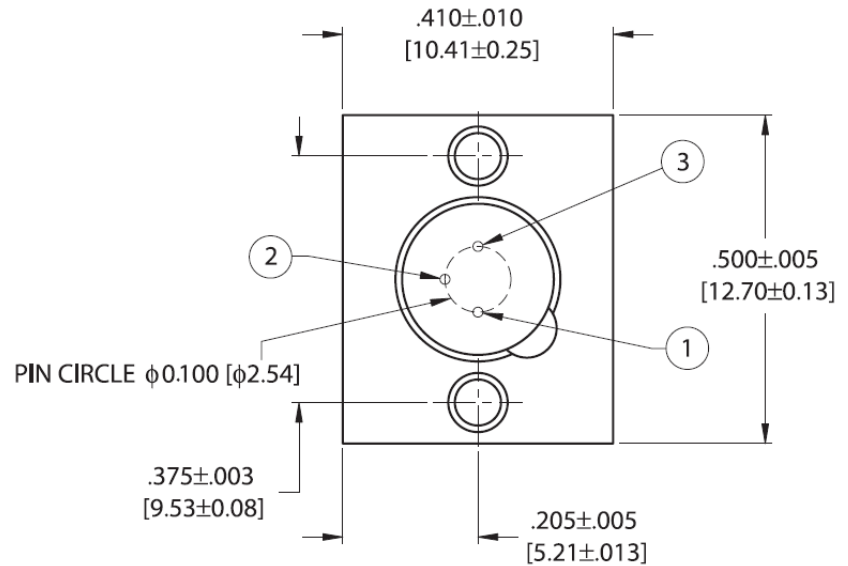


Fiber Optic Receptacles

Packages

ST

ST Receptacles Package



| PIN# | FCI-HR-XXX | FCI-125G-XXXHR FCI-InGaAs-XXX |
|------|------------|----------------------------------|
| 1 | ANODE | CATHODE |
| 2 | CATHODE | CASE |
| 3 | CASE | ANODE |

Please note that all receptacle-associated photodetectors carry an additional 0.45dB insertion loss - that is 10% loss to the incident signal power.

YOUR PARTNER