



Ge Avalanche Photodiodes GAV40

800nm – 1800nm

Electrical Characteristics

@25°C +, - 2°C

Basic Type

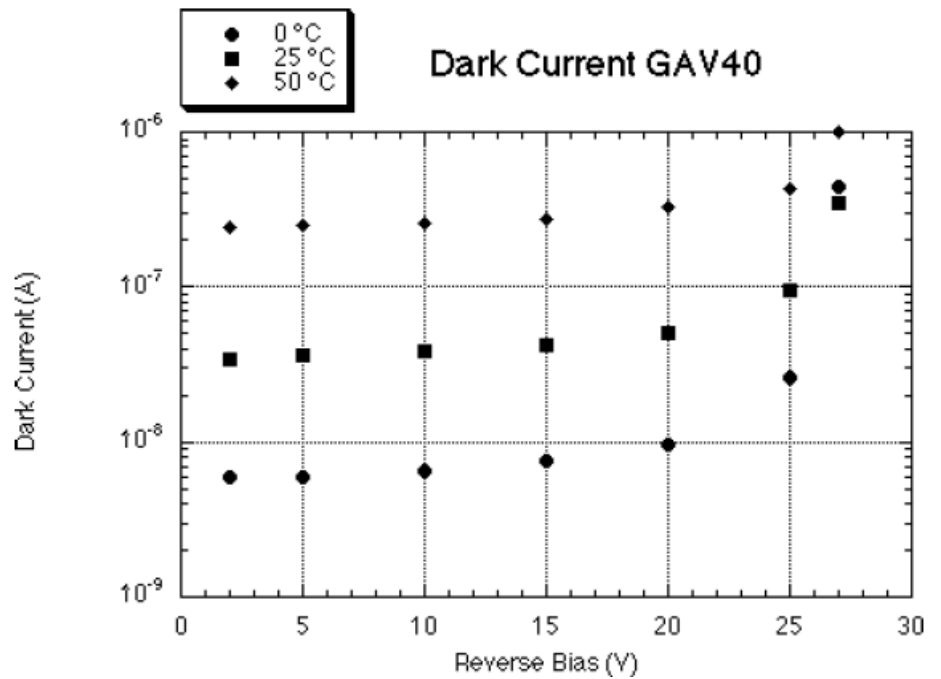
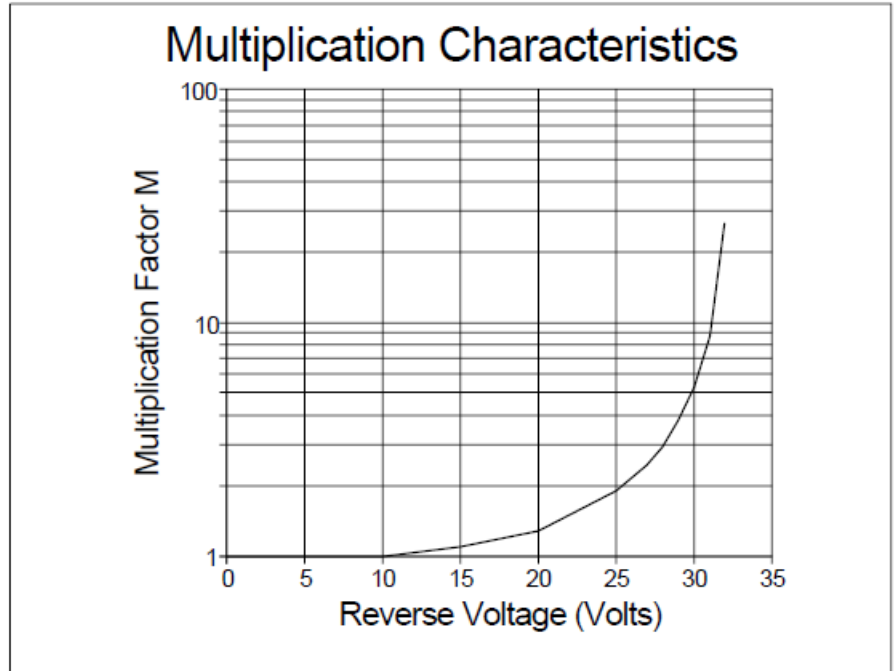
		GAV 40
QE	% min / typ	72 (80)
Active Diameter	µm	40
Responsivity @	1300nm M = 1, A / W	0.76 (0.84)
Breakdown Voltage	V min / typ / max	20 / 30 / 40
Dark Current	nA max / typ @ 0,9 of Vbr	0,2 (0,1)
C _J @ -20V	pF max / typ I _r = 100µA, f = 1 MHz	1 (0,8)
Cut-off Frequency	min / typ GHz, 50Ω -3dB	1,5 (2)
Multiplied Dark Current	M=1	12
Excess Noise Figure	BW=1MHz, M=10, I _{ph} =2µA	0.95
Excess Noise Factor	@ 1300nm, F=300MHz, typ	9
Case Style	standard	TO-46 mod CS, TO46SM- or MM Pigtaills

Maximum Ratings

		GAP 500
Storage Temperature	°C	-40 to +85
Operating Temperature	°C	-40 to +60
Reverse Current	mA	0.4
Forward Current	mA	80



Characteristics

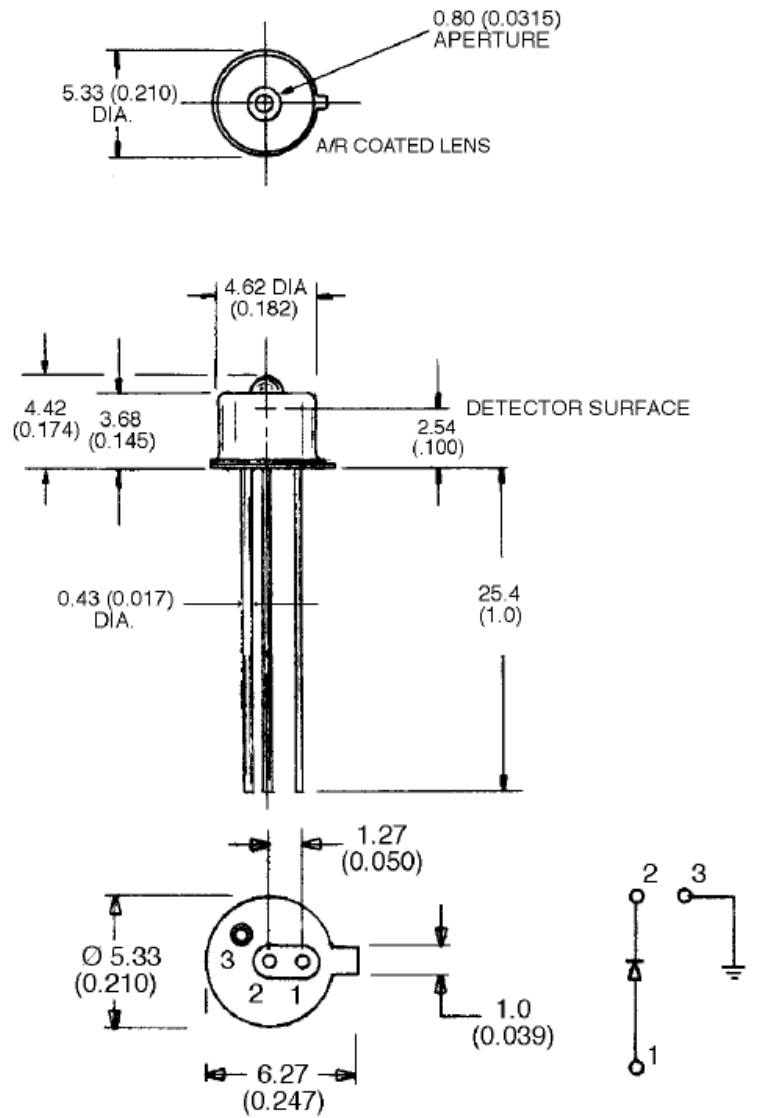




Package Outlines

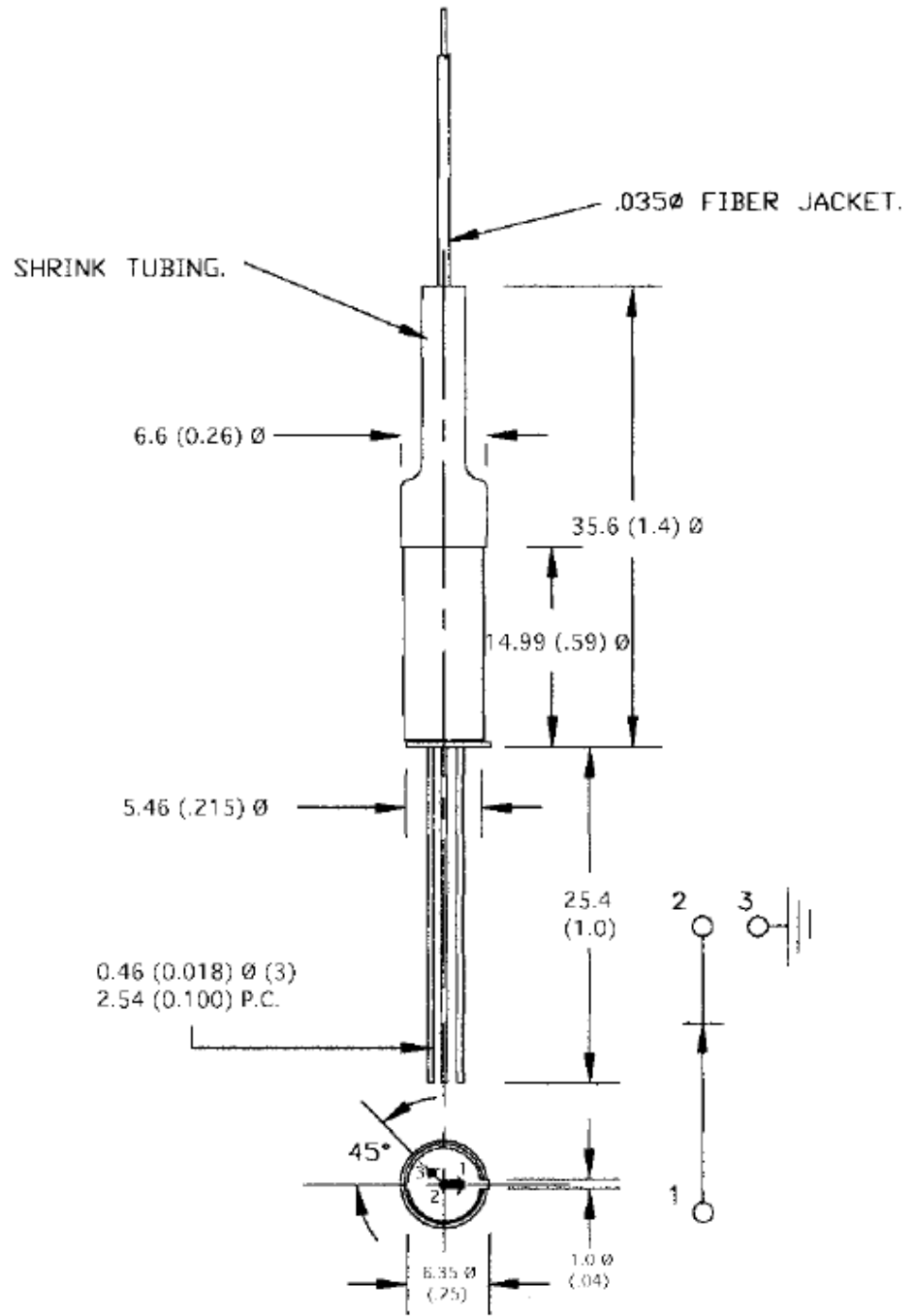
Dimensions in mm (in.); many other packages (including lensed packages) available.

TO-46 (modified)



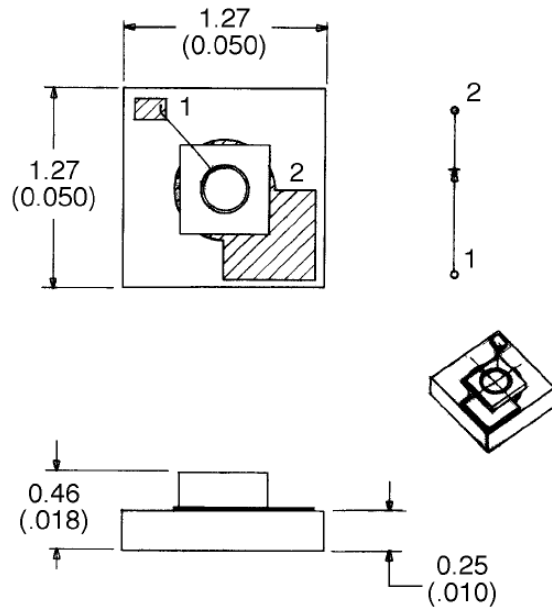


TO46 SM Pigtail





CS-1



CS-2

