



InGaAs High Speed Photodiodes

800nm – 1700nm

Electrical Characteristics

@25°C +, - 2°C

Basic Type

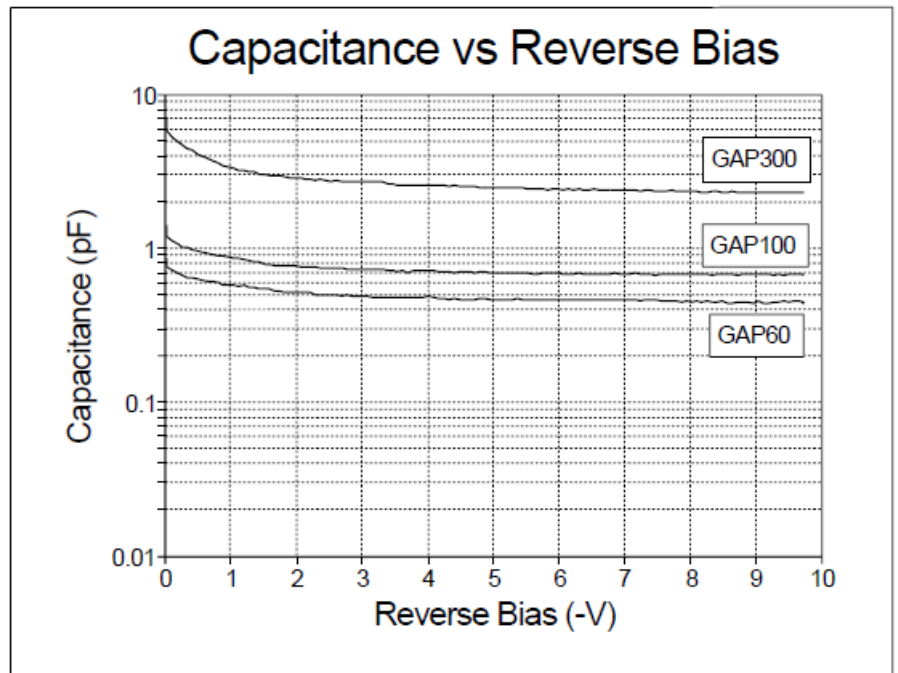
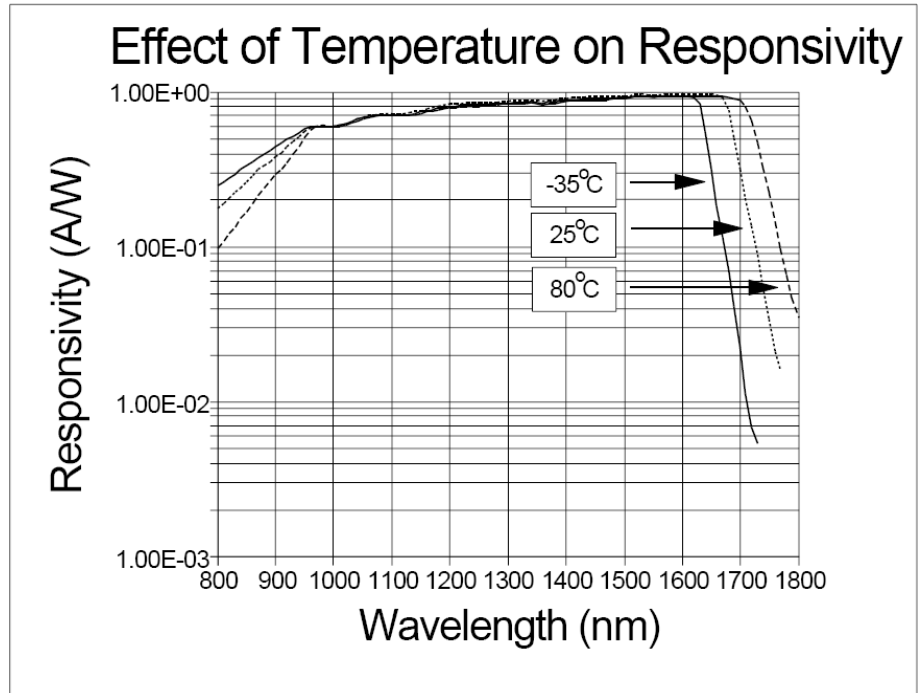
		GAP 60 / GAP 60 CS	GAP 75	GAP 100	GAP 300
Active Diameter	μm	60	75	100	300
Responsivity @	850nm	0.10 (0.20)	0.10 (0.20)	0.10 (0.20)	0.10 (0.20)
A/W min / typ	1300nm	0.80 (0.90)	0.80 (0.90)	0.80 (0.90)	0.80 (0.90)
	1550nm	0.95 (0.95)	0.90 (0.95)	0.90 (0.95)	0,90 (0.95)
Dark Current	nA max / typ @ 5V	0,8 (0,3) @ 5V	0,8 (0,3) @ 5V	1 (0,5) @ 5V	5 (1) @ 1V
C _J @ 0V	pF max / typ	40 (20)	120 (80)	500 (300)	1000 (600)
C _J @ -5V	pF max / typ	0,7 (0,5) / 0,5 (0,3)	0,8 (0,3)	1,2 (1)	8 (4)
Bandwidth @5V, GHz, 50Ω -3dB		6 / 10	10	3	0,8
T _r R _L @ 5V, 50 Ω	ns typ	0,06 / 0,03	0,07	0,1	0,4
NEP (1550nm)	W/√Hz min	10E-15	10E-15	13E-15	18E-15
Linear Range ± 0.2dB	dBm	8	8	8	8
Case Style	standard	TO-46 mod / CS	TO-46mod	TO-46mod	TO-46mod

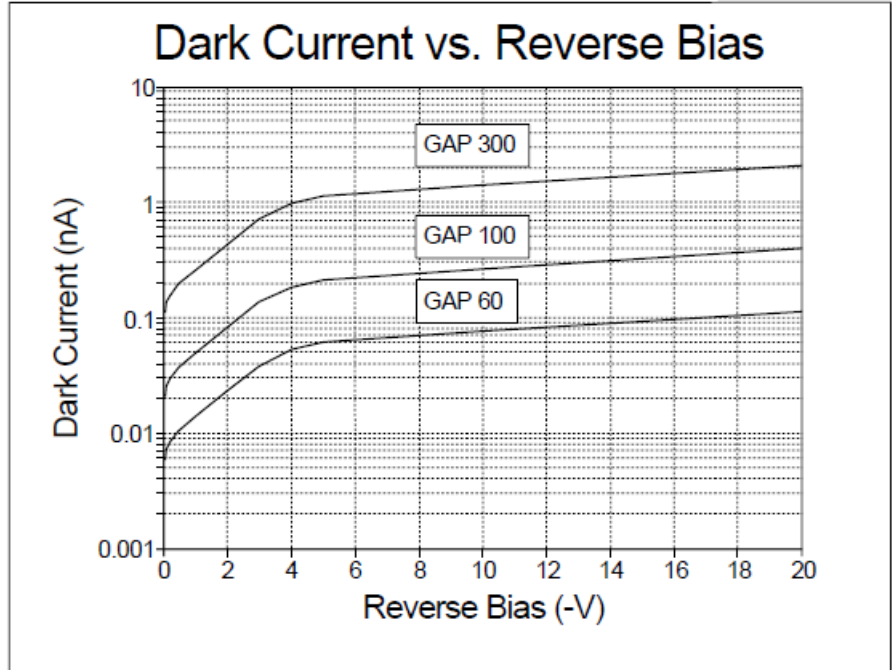
Maximum Ratings

		GAP 50 / GAP 60 CS	GAP 75	GAP 100	GAP 300
Storage Temperature	°C	-40 to 125	-40 to 125	-40 to 125	-40 to 125
Operating Temperature	°C	-40 to 85	-40 to 85	-40 to 85	-40 to 85
Reverse Voltage	V	25	25	25	25
Reverse Current	mA	10	10	10	25
Forward Current	mA	10	10	10	100
Power Dissipation	mW	100	100	100	100



Characteristics

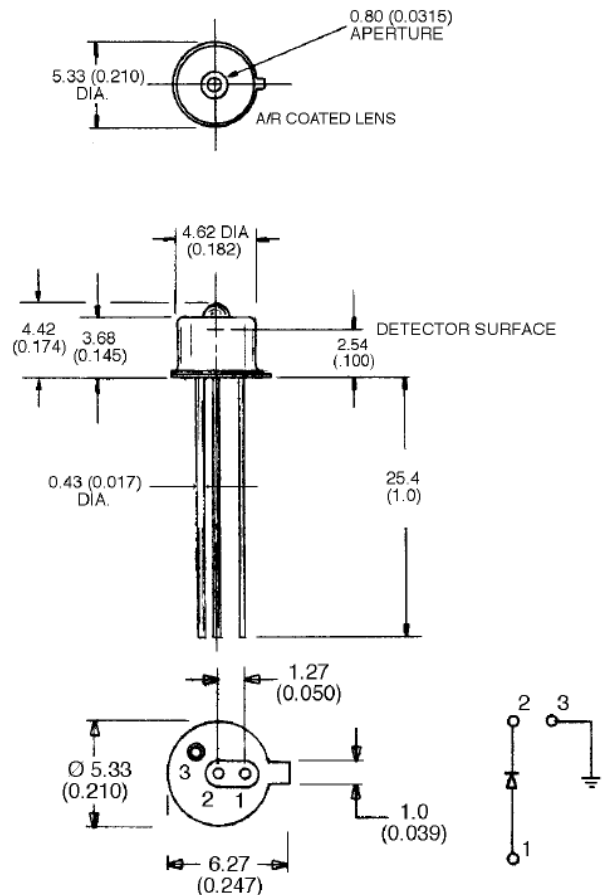




Package Outlines

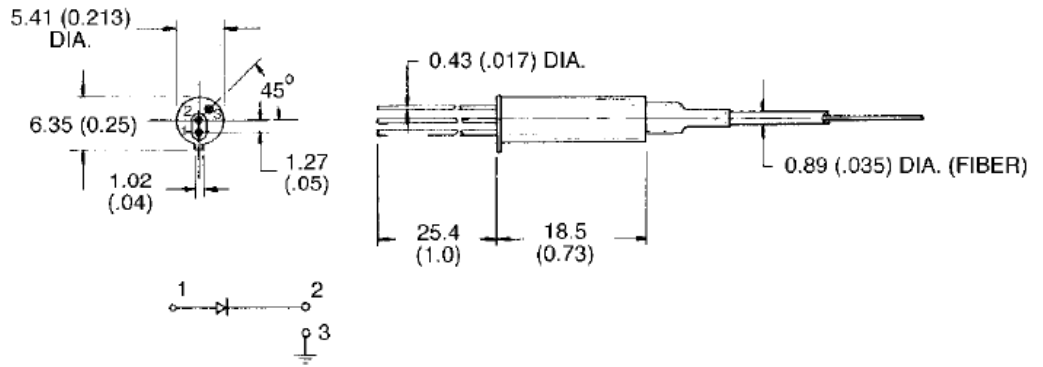
Dimensions in mm (in.); many other packages (including lensed packages) available.

TO-46 (modified)

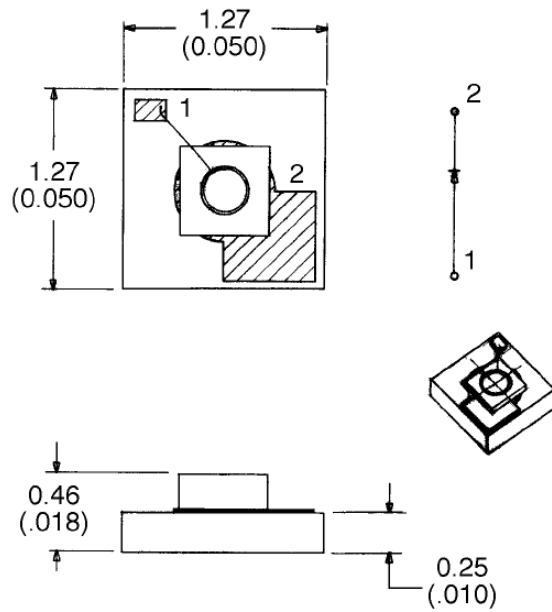




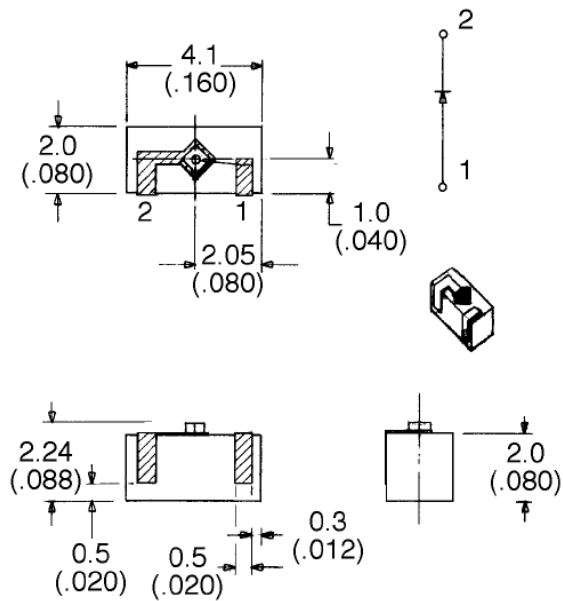
PT Assembly



CS-1



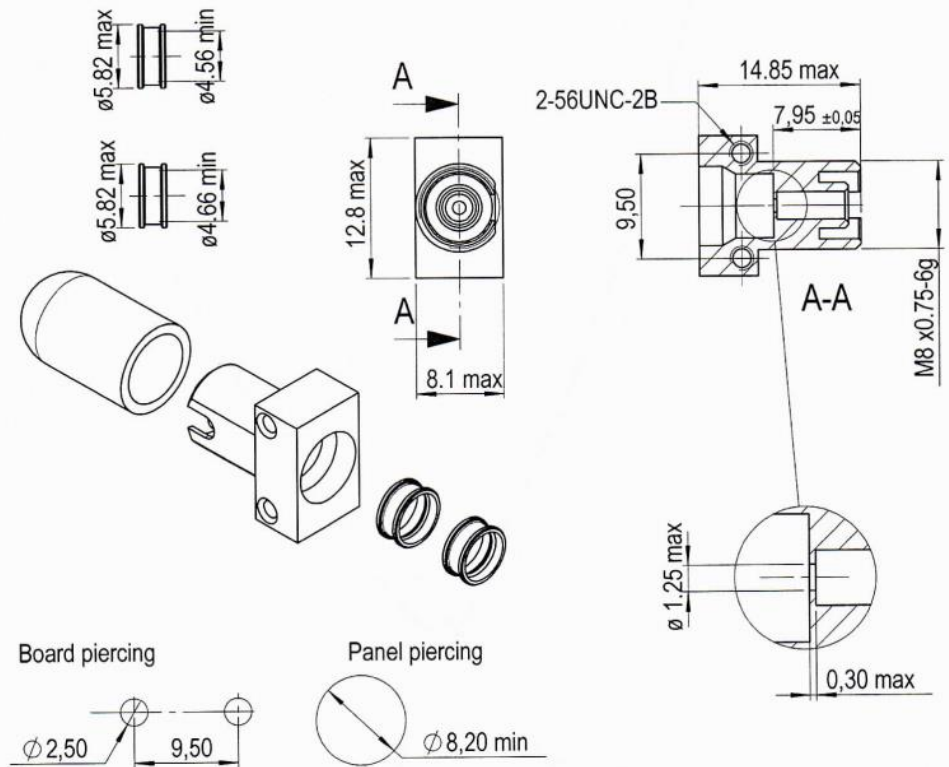
CS-2





FC-RADIALL

Dimensions : mm



GENERAL

TYPE :	<ul style="list-style-type: none"> - IEC 874-7 type FC - Screw thread coupling - PCB mounting and panel mounting - Keyed for consistent coupling
NOTE :	To be used with FCPC multimode plugs

Characteristics

MECHANICAL :	Mechanical endurance 1000 matings Vibration 10/55Hz – 10g
ENVIRONMENTAL :	Climatic category 20/80/4