

### Description

SIC0.25TF-3 is broad band SiC UV photodiode. It is optimized for ultraviolet UVA, UVB and UVC wavelengths. It can easily selected with integral filters.

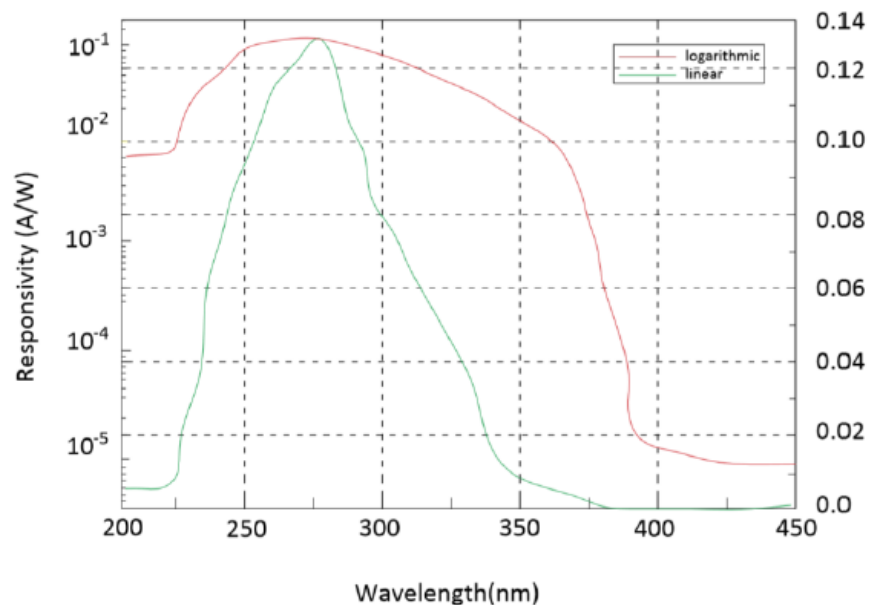
### Features

- \* High reliability in demanding environments
- \* Good visible blindness

### Applications

- \* Sunlight exposure meter
- \* Water purification facilities
- \* UV power meter

### Spectral Response



OEC



Opto-Electronic  
Components

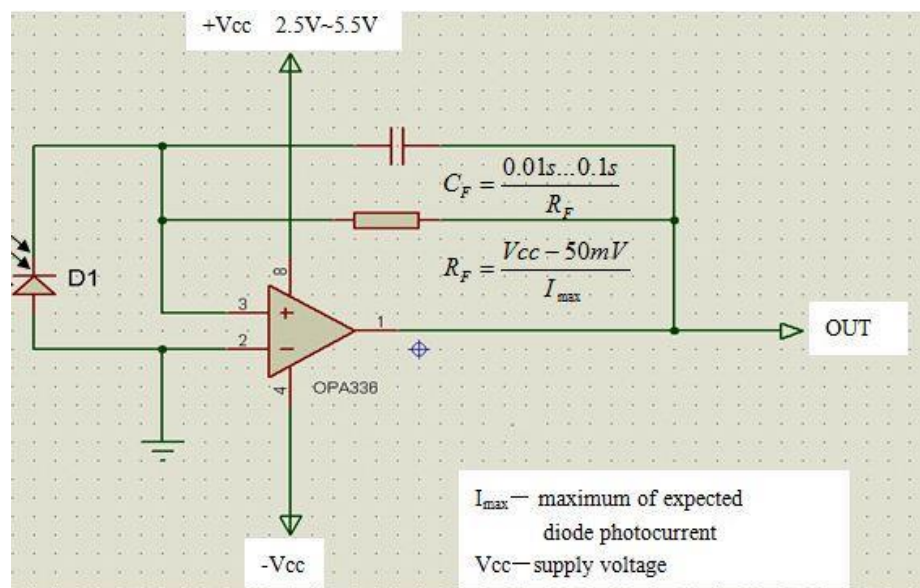


YOUR PARTNER

## Electro-Optical Characteristics

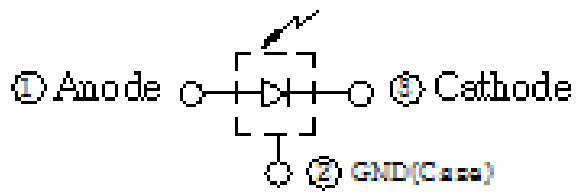
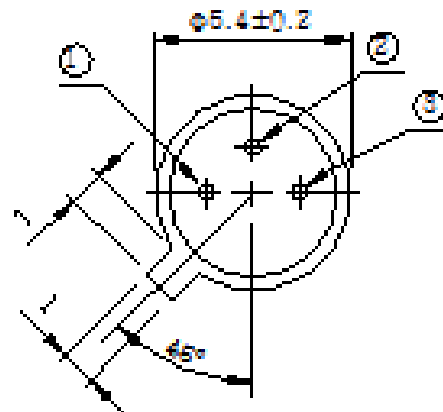
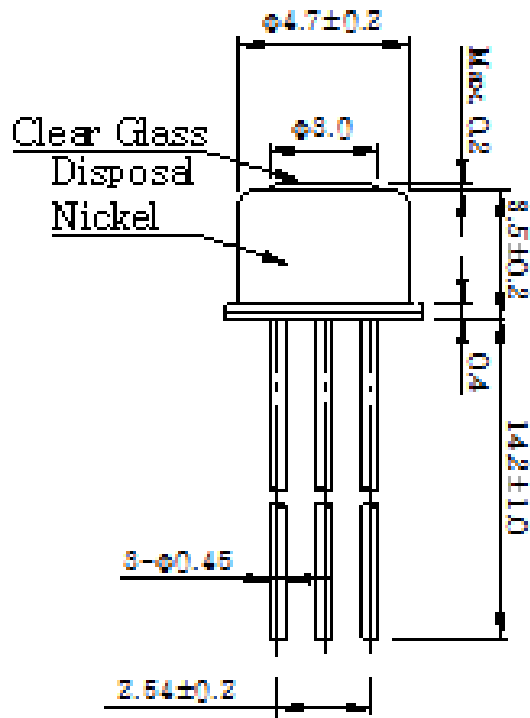
Parameter	Symbol	Min.	Typ.	Max.	Unit
Operation temperature range	T <sub>opt</sub>	-25		+120	°C
Storage temperature range	T <sub>sto</sub>	-40		+120	°C
Soldering temperature (3s)	T <sub>sol</sub>		260		°C
Reverse voltage	V <sub>r</sub>		-20		V
Chip size (active area)	A		0.25		mm <sup>2</sup>
Dark current (V <sub>r</sub> =-5V)	I <sub>d</sub>		0.04	0.1	nA
Temperature coefficient	T <sub>c</sub>		-0.1		%/°C
Capacitance (V <sub>r</sub> =0V, f=1MHz)	C <sub>j</sub>		23		pF
Wavelength of peak responsivity	λ <sub>p</sub>		280		nm
Peak responsivity (@280nm)	R <sub>max</sub>		0.13		A/W
Spectral response range (R=0.1*R <sub>max</sub> )	S <sub>R</sub>	215		360	nm
UV-Visible rejection ratio(R <sub>max</sub> /R400nm)	-	10 <sup>4</sup>			-

## Typical Application Circuit





Package Drawing



All dimensions in „mm”